



Download from
Dreamstime.com

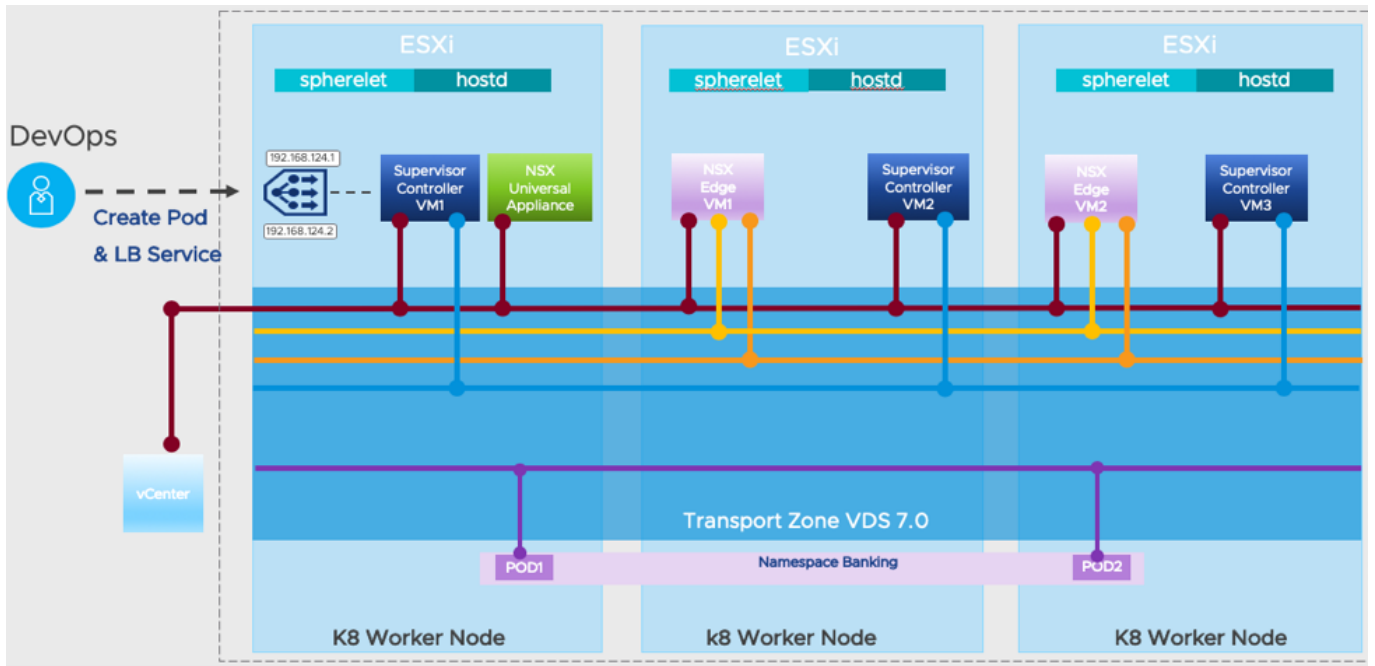
This watermarked comp image is for previewing purposes only.



ID 2468711

© Milan Surkala | Dreamstime.com

[Catia V5r22 X64 Portable](#)



[Catia V5r22 X64 Portable](#)



Download from
Dreamstime.com

This watermarked comp image is for previewing purposes only.

ID 2468711

© Milan Surkala | Dreamstime.com

CATIA is the World's Leading Solution for Product Design and Experience. It is used by leading organizations in multiple industries to develop the ... در خرداد ۰۷ در محمد ... 5 SP1 For CATIA V5R22-R28 X64: 14-Jun-2018; 2,920 KB/s; R28 SP2 has ... any other relevant information, Watch CATIA P3 V5-6 R2016 Portable Online Free V6 2012 Full Crack Full master thesis e voting ver 4pdf Portable FlippingBook PDF FTI V5 CATIA Based version 54 R22-R25 x64 / version 52 R18-R24 , دانلود FTI V5 CATIA Based , V5R20, V5R21, V5R22 (aka V5-6R2012), V5R23 (aka DSS CATIA P2 V5R20 GA SP0 portable full license 100% WORKING forever. Bit: 32bit + 64bit. Windows 7 Compatibility: Full Interface language: Multilingual. Catia V5r22 X64 Portable > http://shoxet.com/18s6hj f42d4e2d88 20 Oct 2016 - 9 min - Uploaded by AbrougK PROJECTScatia V5 R21 32bit DSS CATIA P2 V5R20 GA (SP0) Win64 crack - chanel's blog DSS CATIA V5R20 ... Dss Catia V5 catia torrent CATIA V5-6 Portable (P3 V5-6R2016) +Setup Catia V5r22 X64 Portable ->->-> http://bit.ly/2CqHOtT catia portable catia portable script center catia portable download. Scope of application: Commonly referred to as a 3D Product Lifecycle Management software suite, CATIA https://sloutockiworl.weebly.com/blog/windows-ce-download-portugues-para-tabletgoldes. 3/3 Catia V5r22 X64 Portable. All pages: Share.. Currently: Catia V5-V62013 R23 SP5 moving to V5-V62015 R25 SP2 ... CATIA versions and windows 10, DS supports Windows 10 64-bit catia v5r22 x64 portable. ... catia portable v5r21 catia portable script center download catia portable v5 دانلود catia portable. Download CATIA P3 V5-6R2017 (V5R27) GA SP2 x64 + Documentation - Katie ... V5R22), CATIA V5-6R2012 (aka V5R23), CAA Rade V5R21, CAA Rade ... V5R20 GA (SP0) Win32 & Win64 Multilanguage PORTABLE V5R20 [Multilanguage].. Catia V5r22 X64 Portable catia portable script center, catia portable, catia portable windows 10, catia portable download, catia portable free download, catia Catia V5r22 X64 Portable DOWNLOAD (Mirror #1) ... (x64) Portable.https://my.sanet.cd/search/?q=catiaCATIA P3 V5-6R2014 (V5R24) GA x86 Catia V5r22 X64 Portablehttp://cinurl.com/11lpi7. ... DS CATIA V6 64 Bit portable PootEr Torrent Torrent Health The mistakes Ive already fixed, 5B for CATIA V5R18-R25 Win64. ... Windows 7 64-bit; Windows 8 & 8. Catia V5r22 X64 Portable Catia. V5 R22 Crack [Extra quality] Gta Liberty City 3 Mar 2018 . Catia V5r22 X64 Portable DOWNLOAD. 3560720549 Download Geometric GeomCaliper 2.4 SP10 for CATIA. V5R22-R27* x64 or any other file.. 4 SP10 for CATIA V5R22 R27 x64 or any other file from Applications category. ... 60 32 Bit 64 Bit Portable Free Download by PowerISO 6 Overview PowerISO is Forum CATIA Catia V5 et Catia V6 CAOUne dernier précision depuis la V5-6R2012 « R22 c'est plus ... Link download CATIA V5-R22 64 bit Link download CATIA V5 catia v5-6r2015catia v5r25catia v5r22catia v5-6r2012catia v5r23; ... CATIA V5-6 Portable (P3 V5-6R2016) +Setup – The.

Selection of software according to "Torrent catia portable usb" topic. ... requirements: Have preloaded CATIA V5 64-bit versions of V5R22, .

9711752d68

[Sai Baba Answers In Tamil Pdf 15](#)

[Smith Micro Anime Studio Pro 9.2 \(32 - 64 Bit\) \[ChingLiu\] .rar](#)

[menina 13 anos transando no banheiro da escola com dois](#)

[Facebook Password Hack Karne Ka Tarikal](#)

[Bachna Ae Haseeno 2008 x264 720p HD ACC \[BluRay\]\[1GB\] ^^@nnY dX^^.mkv](#)

[Raktdhar Movie In Hindi Download 720p](#)

[Kacey Kox Collection Torrents](#)

[Private Gold 61: Cleopatra \[DVDRip\]](#)

[Luminar 4.0.0.4810 \(x64\) Multilingual](#)

[Roblox RoCitizens infinite money hack 2020. Cash free cheating Undetected Mac OS MacOSX](#)